



**Specifications:**

- **Accuracy:** Level: +/- 1/8" @ 100'; Plumb: +/- 1/4" @ 100'
- **Electronic Self-Levelling: Level Range:** +/- 6 degrees  
**Plumb: Manual Levelling:** bubble vial
- **Operating Range:** Up to 100' (300' with Laser Detector)
- **Three Operational Modes:** Dot; line dither/scan: 2 adjustable lengths; Spin: 3 variable speeds
- **Recalibration:** On the jobsite
- **Laser Diode:** Class III, 635nm diode
- **Tripod Mount:** 5/8" x 11
- **Laser Detector:** Range: Up to 300':  
2-sided LCD display;  
Beeper: On/Off;  
Coarse/Fine Adjustment
- **Power Supply:** 4 "D" batteries (not included)
- **Warranty:** 1 year limited
- **Rugged Construction:** Dust, dirt and water resistant
- **Storage Temperature:** -20C to 70C
- **RT-5250-1 Includes:** Unit, laser target, laser enhancement glasses and kitbox.
- **RT-5250-1K Includes:** Unit, laser detector, rod bracket, laser target, laser enhancement glasses and kitbox.

### Features:

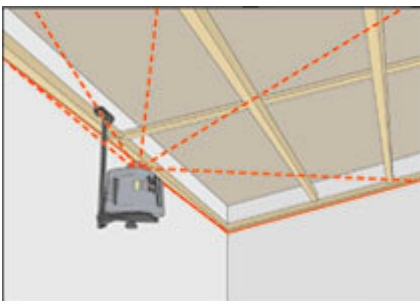
- **RT-5250-1:** Part electronic self levelling, part manual levelled rotational laser the RT-5250-1 provides the construction professional with all the benefits of a self levelling laser level and the flexibility of a laser tool that also provides plumb capability.
- **Electronic Self-Levelling (level applications only):** Place the laser on any surface and its electronic servomechanism does the rest. The electronic self-levelling technology combined with out-of-level detection eliminates tool status checks, (even on busy jobsites where vibration, impacts and temperature changes are common) costly errors and set up time. Set it and forget it!
- **Three Modes of Operation:** The professional contractor can choose between dot, line dither and spin modes to customise the beam length and visibility that meets his specific application requirements and ambient light conditions.
- **Automatic Out of Level Sensing (level applications only):** The laser has a built-in level indicator which provides both auditory and visual indication if it goes out of level. If the unit is bumped or disturbed after initial setup and goes out of level for any reason, the user will know right away!
- **Laser Detector & Rod Bracket (sold separately or included in RT-5250-1K):** With the laser beam detector, extend the working range up to 300', making this tool perfect for both interior and exterior applications in concrete, framing, finish carpentry landscaping, etc.

### Applications:

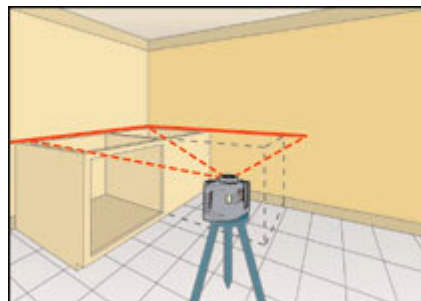
- **Carpentry:** Level and set cabinets and countertops; Level and plumb decks; Plumb framing and partition walls
- **Concrete:** Set forms and footings
- **Electrical:** Level electrical outlets
- **Plumbing:** Layout piping, sewer and feed lines
- **Other:** Set landscape grade

### Application Illustrations:

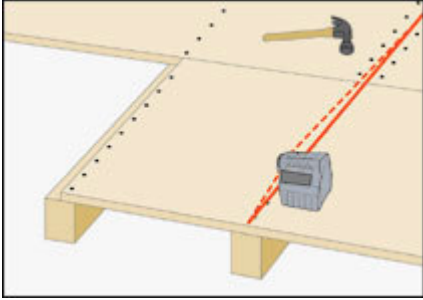
Level (Carpentry)



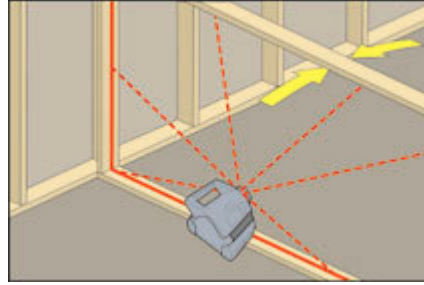
Level (Drop Ceiling)



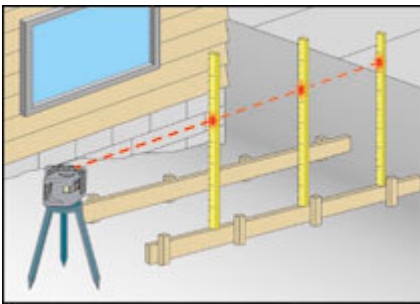
Align (Flooring)



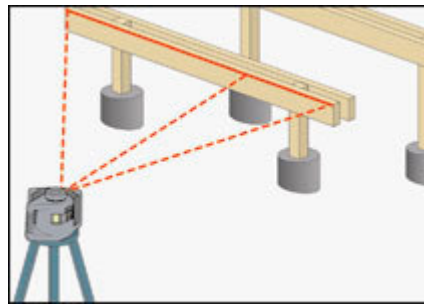
Plumb (Framing)



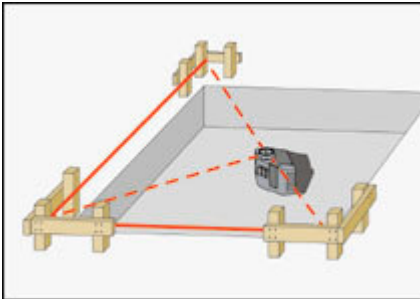
Grade (Concrete/Landscaping)



Level (Framing)



Level (Concrete)



Align (Framing)

